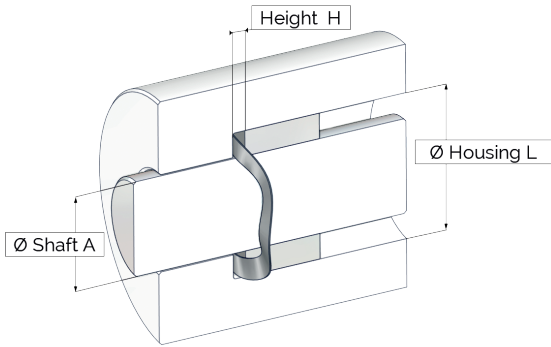




**SPACE REQUIRED**



Housing diameter L\* : .....mm  
 Shaft diameter A\* : .....mm  
 Working height H min : .....mm  
 Working Height H max : .....mm

**Centering mode**

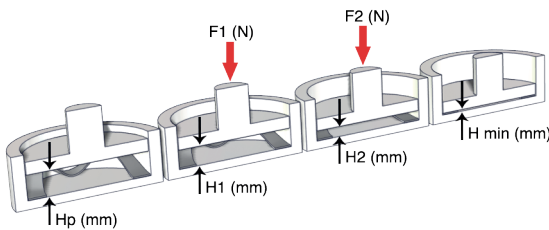
- Housing L
- Shaft A



**Free height H<sub>0</sub>**

H<sub>0</sub> min : .....mm  
 H<sub>0</sub> max : .....mm

**LOADS UNDER WORKING HEIGHTS**



Preloading height Hp : .....mm  
 Working height H1\* : .....mm    Load F1\* : ..... N  
 Working height H2 : .....mm    Load F2 : ..... N  
 Working height H min : .....mm

**ENVIRONMENT**

**Operating temperature :**

Mini\* : .....°C    Maxi\* : .....°C

- Spring operates in oil
- Spring must be stainless
- Spring should not be magnetic
- Spring must be conductive

Surrounding chemical substances : .....  
 .....  
 Required raw material : .....  
 .....  
 .....

**FATIGUE**

- Static application
- Dynamic application
  - Operating frequency : ..... Hz
  - Number of cycles : .....

**QUANTITIES**

Prototypes : .....  
 Pre serie : .....  
 Serie\* : .....  
 Annual : .....

**APPLICATION DESCRIPTION**

.....  
 .....  
 .....

**IDENTIFICATION**

Last Name\* : ..... First Name\* : .....  
 Company\* : ..... Function : .....  
 Full adress : .....  
 .....  
 Email\* : ..... Phone : .....

\*Required field